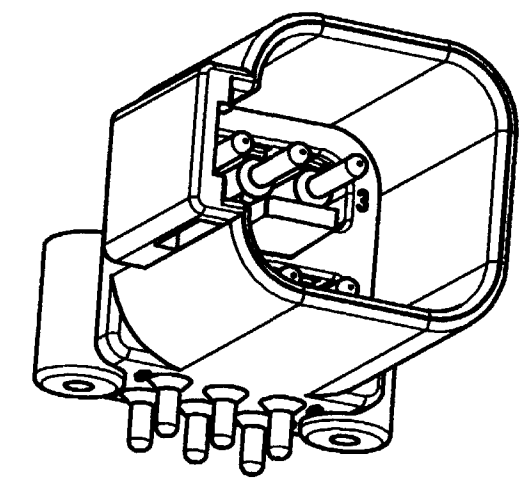
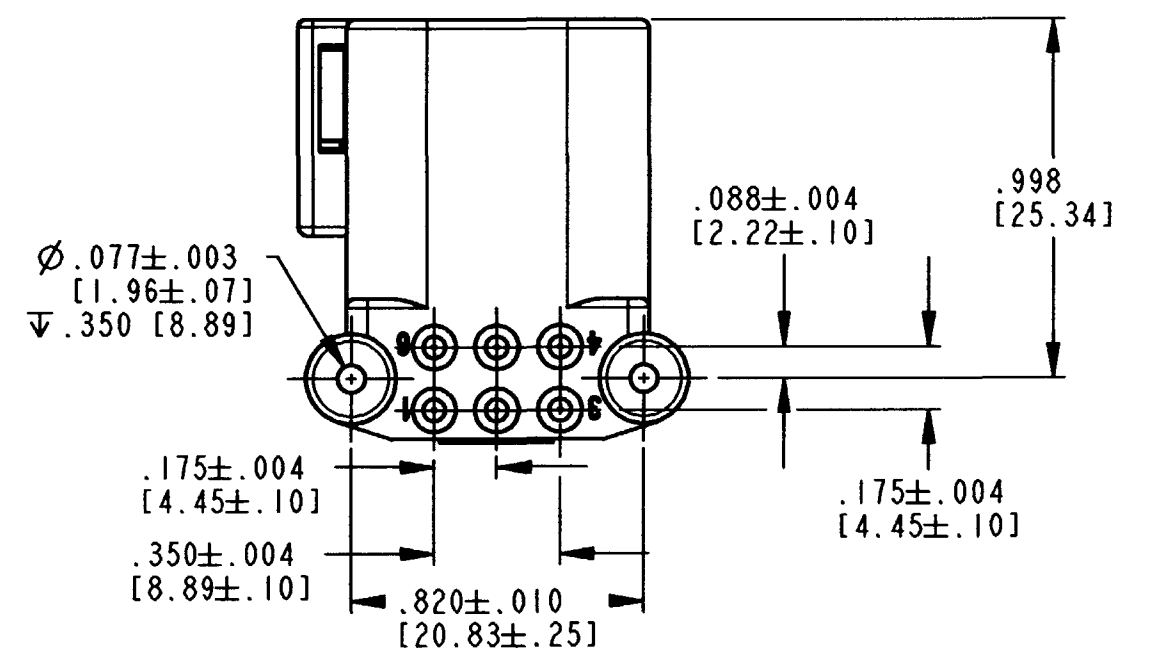
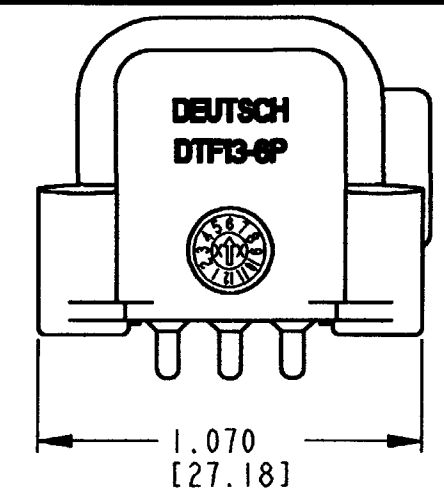
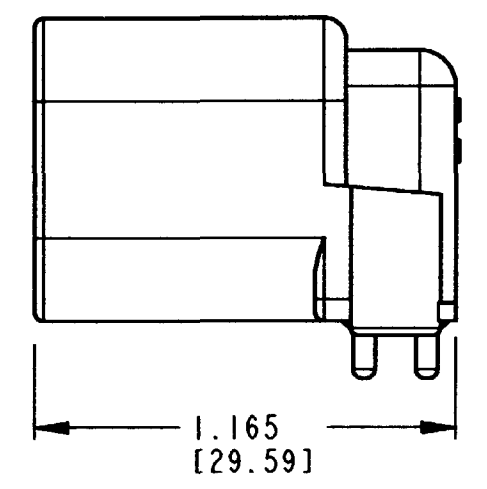
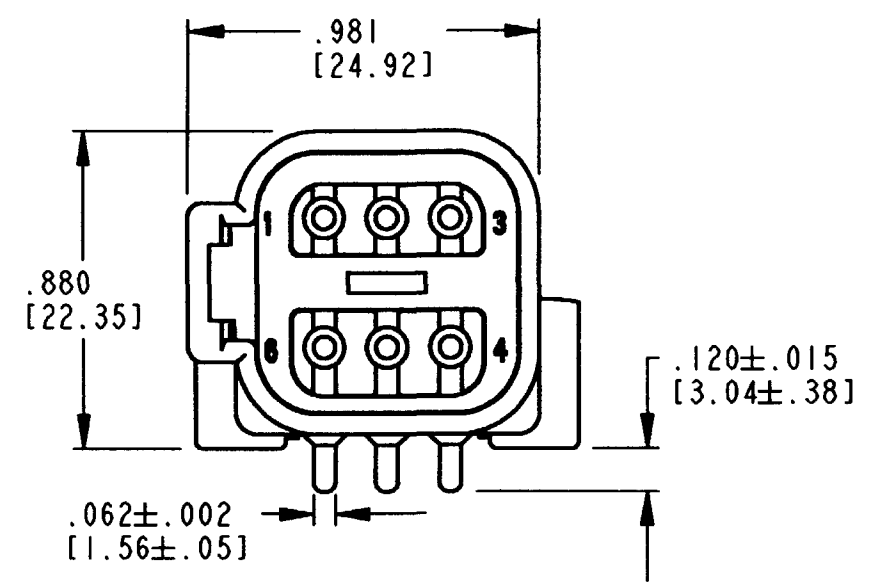


REV B DTF13-6P

REVISIONS			
SYM	DESCRIPTION	DATE	APPROVED
NC	NEW RELEASE PER E.O. P15737	8/14/98	C.W.
A	REVISED PER E.O. P16308	8/22/00	C.W.
B	REVISED PER E.O. P18685	10-20-04	ADR



3D VIEW

- 5. MATERIALS: HOUSING-HIGH TEMPERATURE NYLON BLACK
PINS-TIN PLATED
- 4. CONNECTOR MATES WITH DT06-6S-**** AND W6S-P012.
(**** = ALL MODIFICATIONS) CONSULT FACTORY FOR MODIFICATIONS.
- 3. Ø.077 [1.96] REF HOLE ARE FOR SIZE 2 SCREWS.
- 2. DIMENSION ARE ±.025[.63] UNLESS OTHERWISE SPECIFIED.

NOTES: 1. ALL DIMENSIONS ARE IN INCHES [METRIC].

SIGNATURE & DATE	
DR	M. GONZALEZ 02AUG00
CHK	<i>[Signature]</i> 10/17/04
PE	<i>[Signature]</i> 10/17/04
APPD	<i>[Signature]</i> 10-11-04
SCALE	NONE WT

90° 6 PIN
FLANGELESS CONNECTOR
DTF SERIES
COLOR: BLACK

ENVELOPE

CP	MATL. CODE
The Deutsch Company DEUTSCH I.P.D. 3850 INDUSTRIAL AVE. HEMET, CALIF. 92545	
B	DTF13-6P
DWG SIZE	CODE 11139 SHEET OF